



Mast type	Maximum Fork Height	Maximum Lowered Height	Fully Extended Height	Free Lift	Rated Load Capacities							
					B35X-7							
					with Load Backrest	with Load Backrest	Tilt Angle				Load Capacities	
							Single Pneu.		Single Solid		Single Pneu	Single Solid
							FWD	BWD	FWD	BWD	LC500mm	LC500mm
deg	deg	deg	deg	kg	kg							
mm	mm	mm	mm	mm	deg	deg	deg	deg	kg	kg		
STD	2,720	2,020	3,970	152	6	9	6	9	3,500	3,500		
	3,000	2,160	4,250	152	6	9	6	9	3,500	3,500		
	3,495	2,410	4,750	152	6	9	6	9	3,500	3,500		
	3,655	2,560	4,905	152	6	9	6	9	3,500	3,500		
	3,805	2,635	5,055	152	6	9	6	9	3,500	3,500		
	4,805	3,135	6,055	152	6	5	6	9	3,125	3,425		
FF	2,720	2,020	3,970	820	6	5	6	9	3,500	3,500		
	3,000	2,160	4,250	960	6	5	6	9	3,500	3,500		
	3,495	2,410	4,745	1,210	6	5	6	9	3,500	3,500		
FFT	3,555	1,885	4,805	685	6	9	6	9	3,400	3,400		
	3,960	2,020	5,210	820	6	9	6	9	3,400	3,400		
	4,380	2,160	5,630	960	6	9	6	9	3,300	3,400		
	4,820	2,330	6,070	1,130	6	5	6	9	3,175	3,400		
	5,205	2,510	6,455	1,310	6	5	6	9	2,575	3,300		
	5,655	2,660	6,905	1,460	6	5	6	5	2,000	3,200		

Note: These load capacities are based on the standard chassis without side shifter.
 Specification values quoted in this catalog have been rounded.
 Products and specifications are subject to improvement and change without notice.
 Performance may vary due to operating conditions.
 The performance shown represents nominal values obtained under typical operating conditions.

7-Series Forklifts

Electric 2.2 to 3.5 ton capacity



Doosan Industrial Vehicle Europe nv
 Europark-Noord 36A
 9100 Sint-Niklaas
 Belgium
 Tel.: +32 3 760 09 87
 Fax: +32 3 760 09 89
 Website: www.doosan-iv.eu

EUB25X7-160205v1EN (February 2016)

AUTHORIZED DEALER

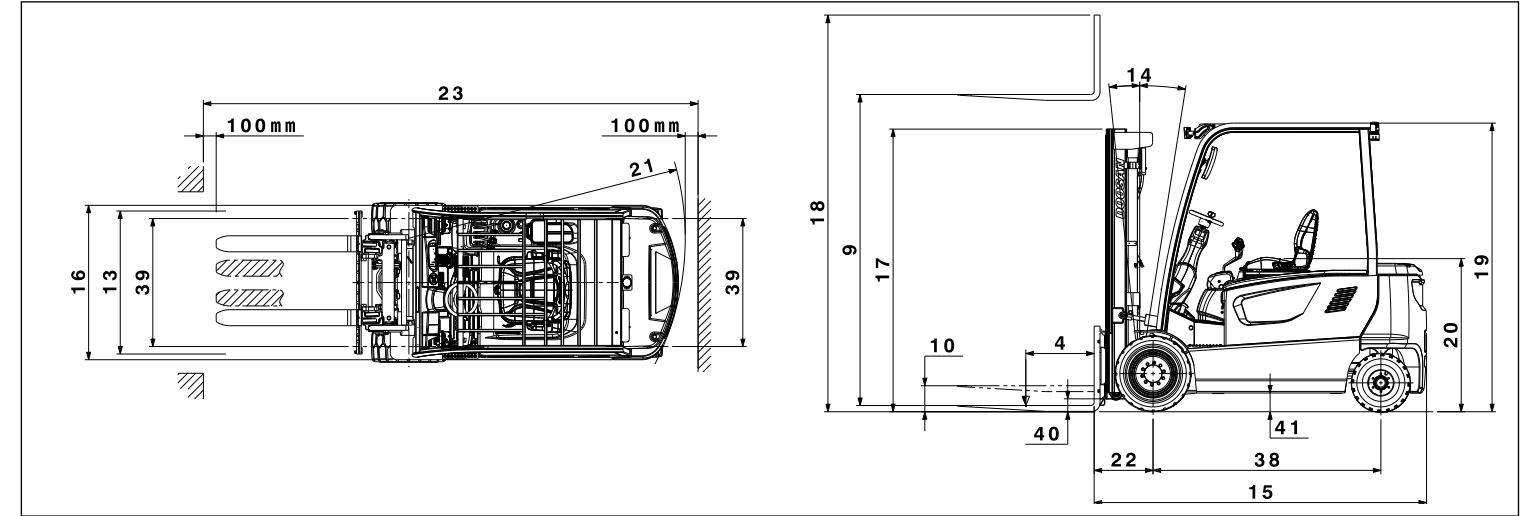
Lifting Your Dreams

GENERAL SPECIFICATIONS

CHARACTERISTICS	1		Manufacturer	Doosan	Doosan	Doosan	Doosan	Doosan			
	2		Model	B22X-7	B25X-7	B25XL-7	B30X-7	B35X-7			
	3		Capacity	at rated load center	kg	2,200	2,500	2,500	3,000	3,500	
	4		Load center	distance	mm	500	500	500	500	500	
	5		Power type			AC electric	AC electric	AC electric	AC electric	AC electric	
	6		Operator type			driver seated	driver seated	driver seated	driver seated	driver seated	
	7		Tire type	C=cushion, P=pneumatic, E=Solid		P, E	P, E	P, E	P, E	P, E	
	8		Wheels (x=driven)	number, front/rear		x 2/2	x 2/2	x 2/2	x 2/2	x 2/2	
DIMENSIONS	9		Maximum fork height	with STD 2-stage mast	mm	3,230	3,230	3,230	3,230	3,000	
	10		Free lift		mm	147	147	147	152	152	
	11		Fork carriage	ISO class		II	II	II	III	III	
	12		Forks	thickness x width x length	mm	40x100x1,050	40x100x1,050	40x100x1,050	45x125x1,050	45x125x1,050	
	13			fork spacing (min x max)	mm	272 x 1,035	272 x 1,035	272 x 1,035	286 x 1,044	286 x 1,044	
	14		Tilt of mast	forward / backward	deg	6/9	6/9	6/9	6/9	6/9	
	15		Overall dimensions	length to forkface	mm	2,329	2,329	2,474	2,480	2,564	
	16			overall width	mm	1,245	1,245	1,245	1,245	1,245	
	17			mast lowered height	mm	2,160	2,160	2,160	2,160	2,160	
	18			mast extended height	mm	3,990	3,990	3,990	3,990	3,760	
	19			overhead guard height (Cabin)	mm	2,185	2,185	2,210	2,210	2,210	
	20		seat height	mm	1,070	1,070	1,070	1,070	1,070		
21		Outer turning radius		mm	1,950	1,950	2,095	2,095	2,155		
22		Inner turning radius		mm	348	348	340	340	340		
22		Load moment constant	center of drive axle to fork face	mm	448	448	448	454	454		
23		Right Angle Stacking Aisle Width (with pallets & clearance)	pallet 1,000x1,200 crossways	mm	3,620	3,620	3,766	3,772	3,832		
23			pallet 800x1,200 lengthways	mm	3,799	3,799	3,944	3,950	4,010		
PERFORMANCE	24		travel	loaded/unloaded	km/h	16/18	16/18	16/18	16/18	16/18	
	25		Speed	lift	loaded/unloaded	mm/s	500/600	480/600	480/600	420/600	380/600
	26			lowering	loaded/unloaded	mm/s	490/460	490/460	490/460	490/460	500/460
	28		Max. drawbar pull	at 1.6 km/h, loaded/unloaded	kg.f	1,768/1,675	1,768/1,675	1,768/1,675	1,768/1,675	1,768/1,675	
30		Gradeability	at 1.6 km/h, loaded/unloaded	%	27/40	25/38	25/38	22/34	20/31		
WEIGHT	32		Total weight	with min. weight of battery	kg	4,419	4,623	4,728	5,068	5,486	
	33		Axle load	loaded, front/rear	kg	5,807/810	6,275/848	6,312/935	7,253/837	7,996/1,013	
	34			unloaded, front/rear	kg	2,294/2,125	2,284/2,339	2,391/2,337	2,547/2,521	2,532/2,954	
CHASSIS	35		number of front/rear			2/2	2/2	2/2	2/2	2/2	
	36		Tires	size	front		23x10-12	23x10-12	23x10-12	23x10-12	23x10-12
	37			rear		18x7-8	18x7-8	18x7-8	18x7-8	18x7-8	
	38		Wheel base	distance	mm	1,589	1,589	1,734	1,734	1,750	
	39		Tread width	front	mm	998	998	998	998	998	
	39			rear	mm	998	998	998	998	998	
	40		Ground clearance	loaded	at the lowest point	mm	130	130	130	130	130
	41			at center of wheelbase	mm	140	140	140	140	140	
42		Brakes	service brake		hydraulic	hydraulic	hydraulic	hydraulic	hydraulic		
43			parking brake		auto-electric	auto-electric	auto-electric	auto-electric	auto-electric		
POWER TRAIN	45		Battery	type		DIN 43536 A	DIN 43536 A	DIN 43536 A	DIN 43536 A	DIN 43536 A	
	45			voltage	V	80	80	80	80	80	
	45			capacity (5 hours rating) - normal	AH	500	500	600	600	600	
	45			capacity (5 hours rating) - max.	AH	620	620	775	775	775	
	46		min. weight	kg	1,560	1,560	1,870	1,870	1,870		
	46		Battery compartment	at chassis sizes (W x L x H)	mm	1,040 x 720 x 805		1,040 x 865 x 805			
	47		Electric motors	drive motor rating at S2 60 minutes	kW	10.0 x 2	10.0 x 2	10.0 x 2	10.0 x 2	10.0 x 2	
	48			lifting motor rating at S3 15%	kW	21	21	21	21	21	
54		Control type	drive and hydraulic	type	MOSFET inverter						
55		Drive axle	brake type	type	ODB						
57		Relief pressure	system	bar	183	193	193	207	235		
57			attachment	bar	155	155	155	155	155		

Note : Specification values quoted in this specification sheet have been rounded. Performance may vary due to operation conditions. Products and specifications are subject to improvement and change without prior notices.

DIMENSIONAL DRAWING



MAST SPECIFICATIONS and RATED CAPACITIES

B22X-7, B25X-7, B25XL-7

Mast type	Maximum Fork Height	Maximum Lowered Height	Fully Extended Height	Free Lift	Rated Load Capacities							
					B22X-5, B25X-7, B25XL-7				B22X-7		B25X-5, B25XL-7	
					Tilt Angle				Load Capacities		Load Capacities	
					Single Pneu.		Single Solid		Single Pneu.	Single Solid	Single Pneu.	Single Solid
	FWD	BWD	FWD	BWD	LC500mm	LC500mm	LC500mm	LC500mm				
	deg	deg	deg	deg	kg	kg	kg	kg				
STD	2,950	2,020	4,200	147	6	9	6	9	2,200	2,200	2,500	2,500
	3,230	2,160	4,480	147	6	9	6	9	2,200	2,200	2,500	2,500
	3,500	2,410	4,755	147	6	9	6	9	2,200	2,200	2,500	2,500
	3,800	2,560	5,055	147	6	9	6	9	2,200	2,200	2,500	2,500
	3,950	2,635	5,205	147	6	9	6	9	2,200	2,200	2,500	2,500
	4,350	2,835	5,605	147	6	9	6	9	2,200	2,200	2,500	2,500
4,960	3,135	6,205	147	6	9	6	9	2,100	2,125	2,425	2,450	
FF	2,950	2,020	4,200	815	6	9	6	9	2,200	2,200	2,500	2,500
	3,230	2,160	4,480	955	6	9	6	9	2,200	2,200	2,500	2,500
	3,600	2,410	4,855	1,205	6	9	6	9	2,200	2,200	2,500	2,500
FFT	3,900	1,885	5,155	680	6	9	6	9	2,200	2,200	2,500	2,500
	4,290	2,020	5,560	815	6	9	6	9	2,200	2,200	2,500	2,500
	4,730	2,160	5,980	955	6	9	6	9	2,150	2,175	2,475	2,500
	4,805	2,165	6,055	980	6	9	6	9	2,150	2,175	2,450	2,475
	5,560	2,510	6,805	1,305	6	5	6	9	2,000	2,025	2,275	2,325
6,010	2,660	7,255	1,455	6	5	6	9	1,875	1,950	1,700	2,250	

B30X-7

Mast type	Maximum Fork Height	Maximum Lowered Height	Fully Extended Height	Free Lift	Rated Load Capacities					
					B30X-7					
					Tilt Angle				Load Capacities	
					Single Pneu.		Single Solid		Single Pneu	Single Solid
	FWD	BWD	FWD	BWD	LC500mm	LC500mm				
	deg	deg	deg	deg	kg	kg				
STD	2,950	2,020	4,200	152	6	9	6	9	3,000	3,000
	3,230	2,160	4,480	152	6	9	6	9	3,000	3,000
	3,500	2,410	4,755	152	6	9	6	9	3,000	3,000
	3,800	2,560	5,055	152	6	9	6	9	3,000	3,000
	3,950	2,635	5,205	152	6	9	6	9	3,000	3,000
	4,350	2,835	5,605	152	6	9	6	9	2,950	2,975
4,960	3,135	6,205	152	6	5	6	9	2,800	2,825	
FF	2,950	2,020	4,200	820	6	9	6	9	3,000	3,000
	3,230	2,160	4,480	960	6	9	6	9	3,000	3,000
	3,600	2,410	4,855	1,210	6	9	6	9	3,000	3,000
FFT	3,900	1,885	5,155	685	6	9	6	9	2,900	2,900
	4,290	2,020	5,560	820	6	9	6	9	2,900	2,900
	4,730	2,160	5,980	960	6	9	6	9	2,850	2,875
	4,805	2,165	6,055	985	6	9	6	9	2,850	2,875
	5,560	2,510	6,805	1,310	6	5	6	9	2,300	2,700
6,010	2,660	7,255	1,460	6	5	6	5	1,775	2,600	